

The f e f a j i e p a a d e c a c e i e g e g a j i g h)
d e e : e i d e c e f a d i Te d i a

Qi g c i Wa g . Mi g Ba . Liha Che

V

Ab) ac)

E

T

T

T

T

T

T

T

E

Ke d

T

T

I) d c j

E

●
K



V

T

T

●



E

K

T

T

T

T

E

K

T

T

T

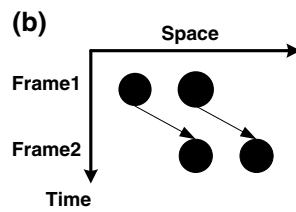
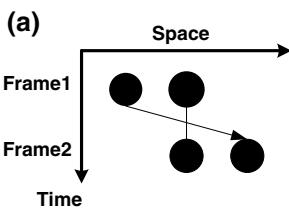
T

K

T

E

T



Method

Fig. 1 T T T
 outer disk middle disk
 b

aE

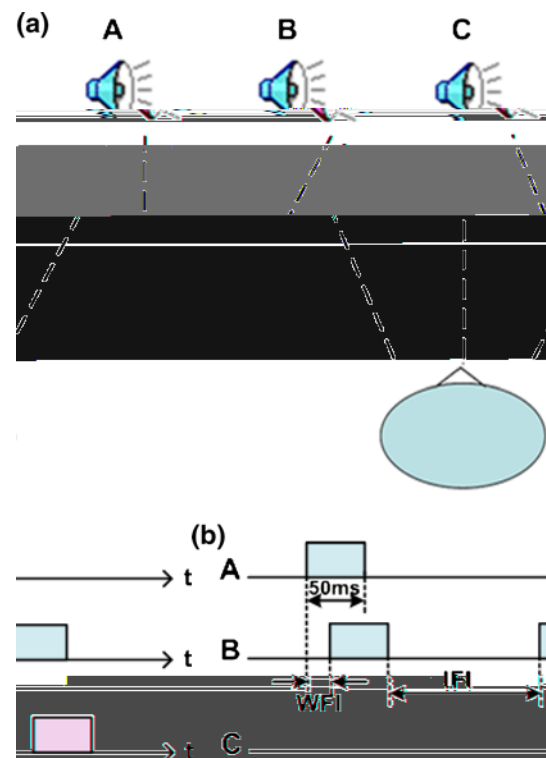


Fig. 2E

horizontally

b T

left right

%

×

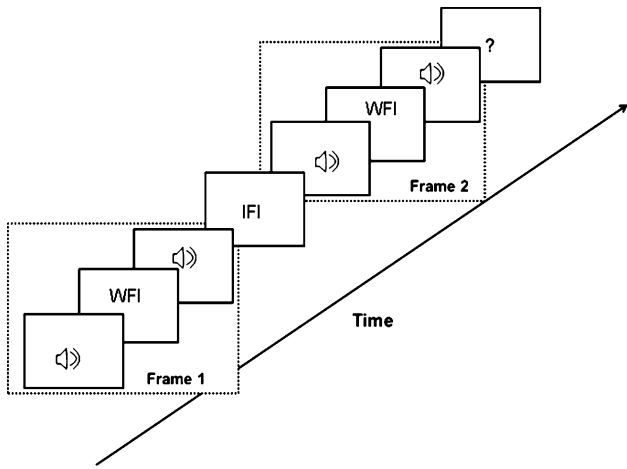


Fig. 3

E T
left right

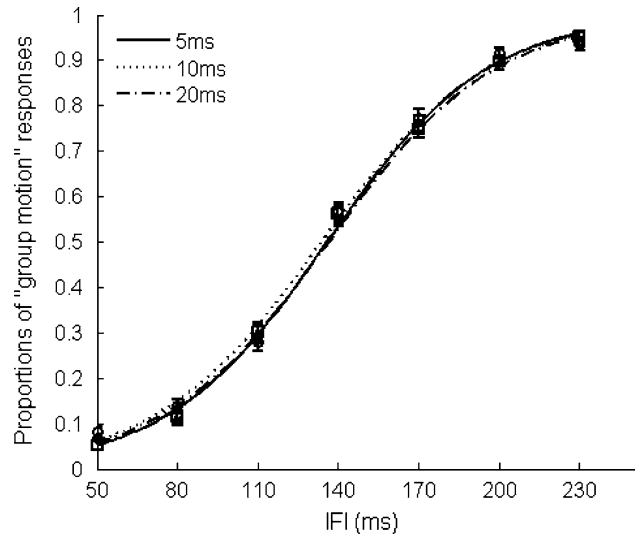


Fig. 4

E T solid curve
T dash curve
T dash dot curve
T error bars

Read direction

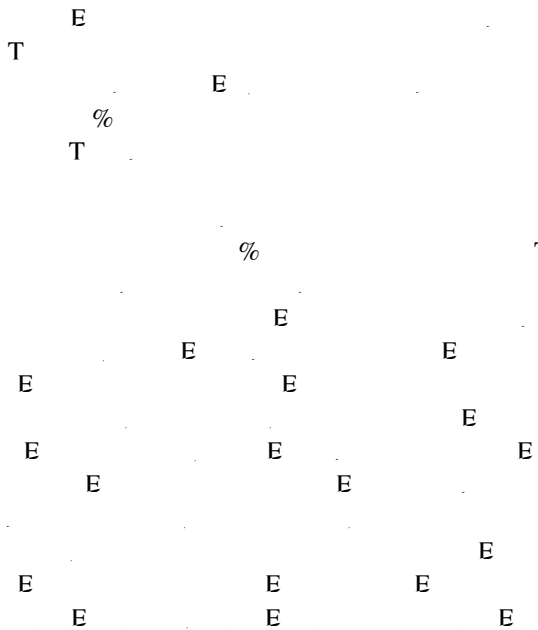


Fig. 5

E T
black bars
T dark gray bars
light gray bars
T error bars

V

$$F = p = E$$

T

T

E

TE TE

<<

>>

T T

T

T

T

T

T V

$$F = \frac{F}{p} = \frac{p}{E} = \frac{E}{V}$$

$$p < \frac{E}{E} \quad F = \frac{F}{E} = \frac{E}{E}$$

$$p < \frac{F}{E} = \frac{p}{E} = \frac{E}{E}$$

$$p = \frac{E}{E} \quad F = \frac{F}{E} = \frac{p}{E}$$

$$V \quad E \quad E \quad E$$

$$F = \frac{p}{F} = \frac{T}{p} =$$

$$F = \frac{p}{p} = T$$

T

T

T

T

T

E

T



T

T

K

